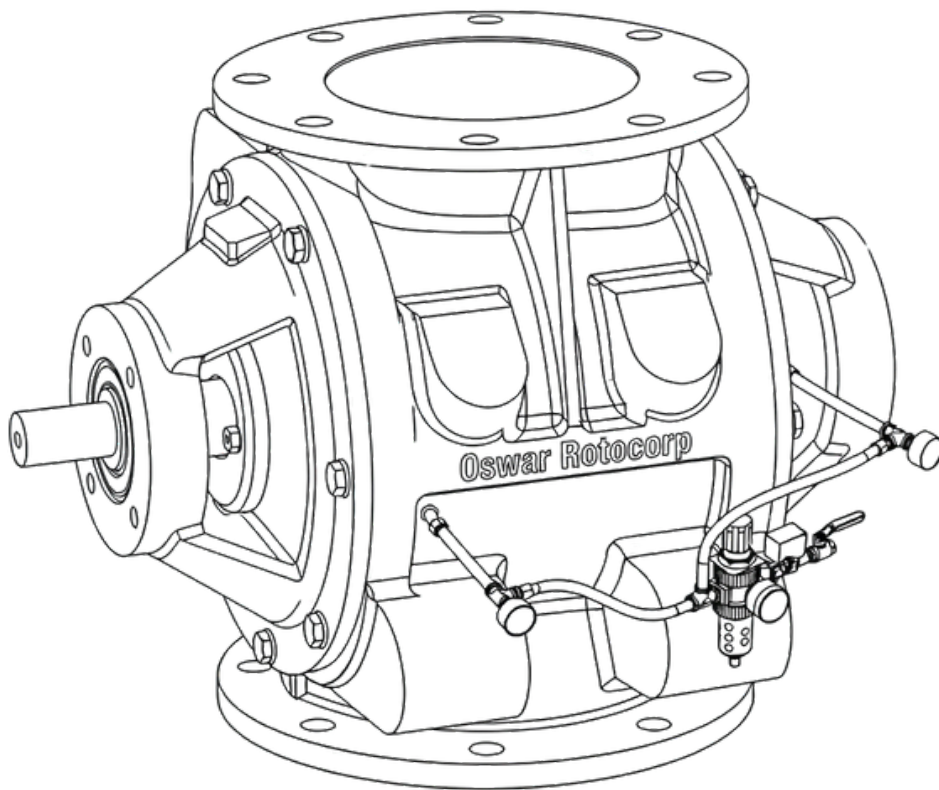
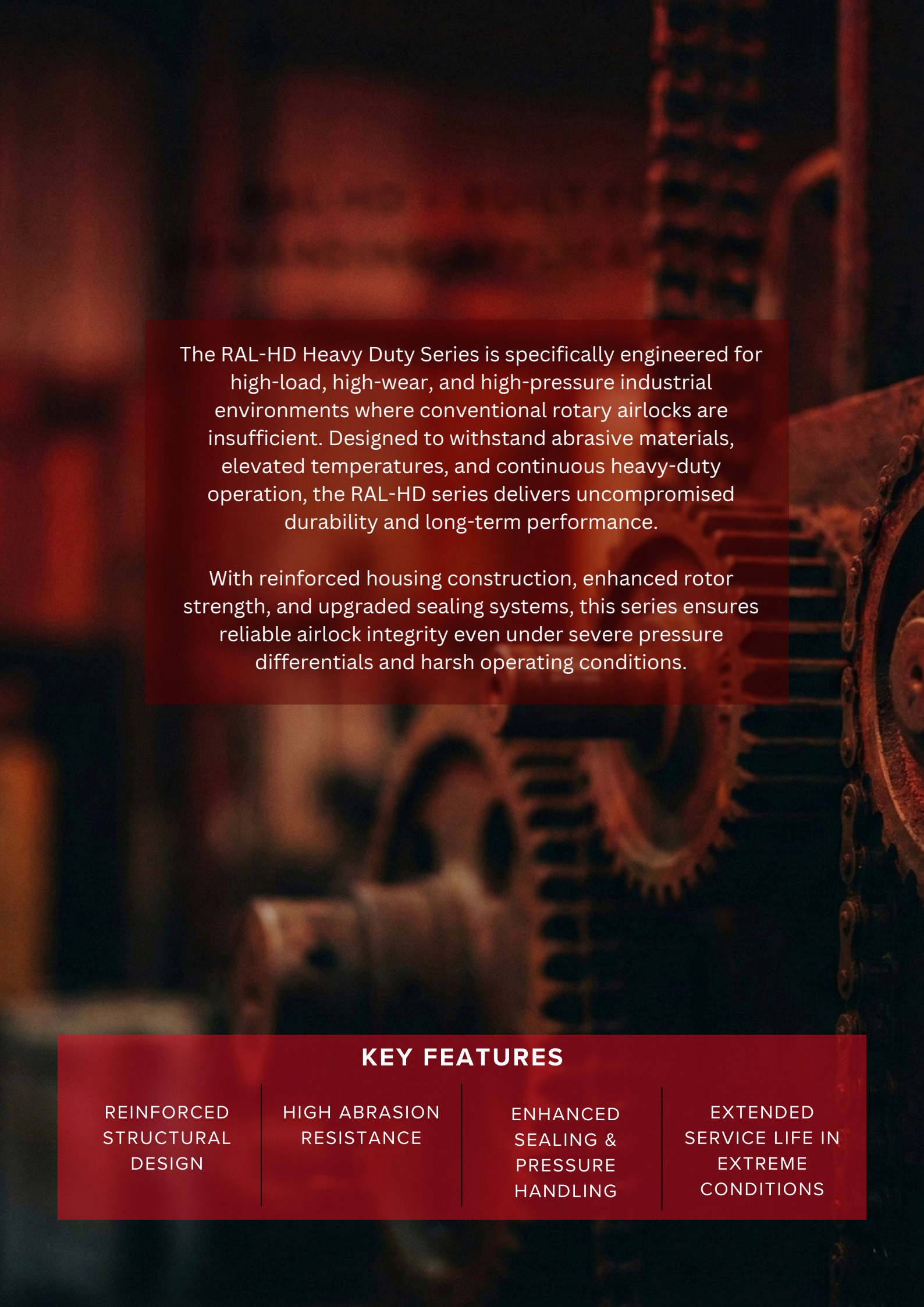


ROTARY VALVE

HEAVY DUTY SERIES



OSWAR
rotocorp



The RAL-HD Heavy Duty Series is specifically engineered for high-load, high-wear, and high-pressure industrial environments where conventional rotary airlocks are insufficient. Designed to withstand abrasive materials, elevated temperatures, and continuous heavy-duty operation, the RAL-HD series delivers uncompromised durability and long-term performance.

With reinforced housing construction, enhanced rotor strength, and upgraded sealing systems, this series ensures reliable airlock integrity even under severe pressure differentials and harsh operating conditions.

KEY FEATURES

REINFORCED
STRUCTURAL
DESIGN

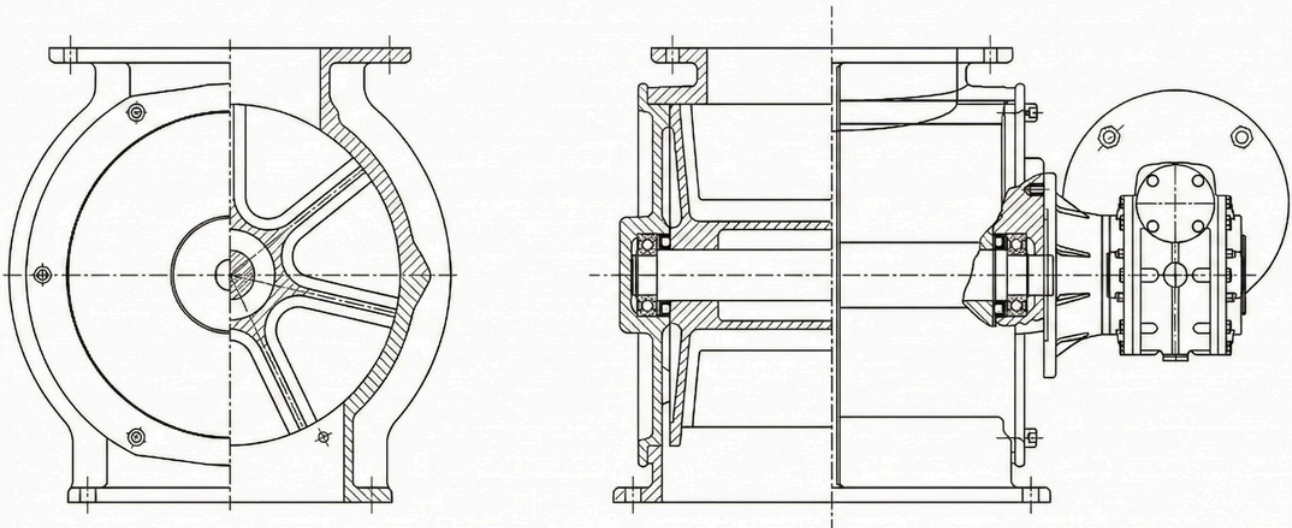
HIGH ABRASION
RESISTANCE

ENHANCED
SEALING &
PRESSURE
HANDLING

EXTENDED
SERVICE LIFE IN
EXTREME
CONDITIONS

DESIGNED FOR STRENGTH & ENDURANCE

The RAL-HD Heavy Duty Series is manufactured with precision CNC-machined heavy-section housings and optimized rotor geometry to handle demanding bulk material flow without deformation or excessive wear. Special attention is given to rotor tip configuration, surface hardening treatments, and wear-resistant coatings to enhance durability in abrasive applications. The heavy-duty bearing arrangement and outboard protection system ensure stable operation under continuous high-load conditions.

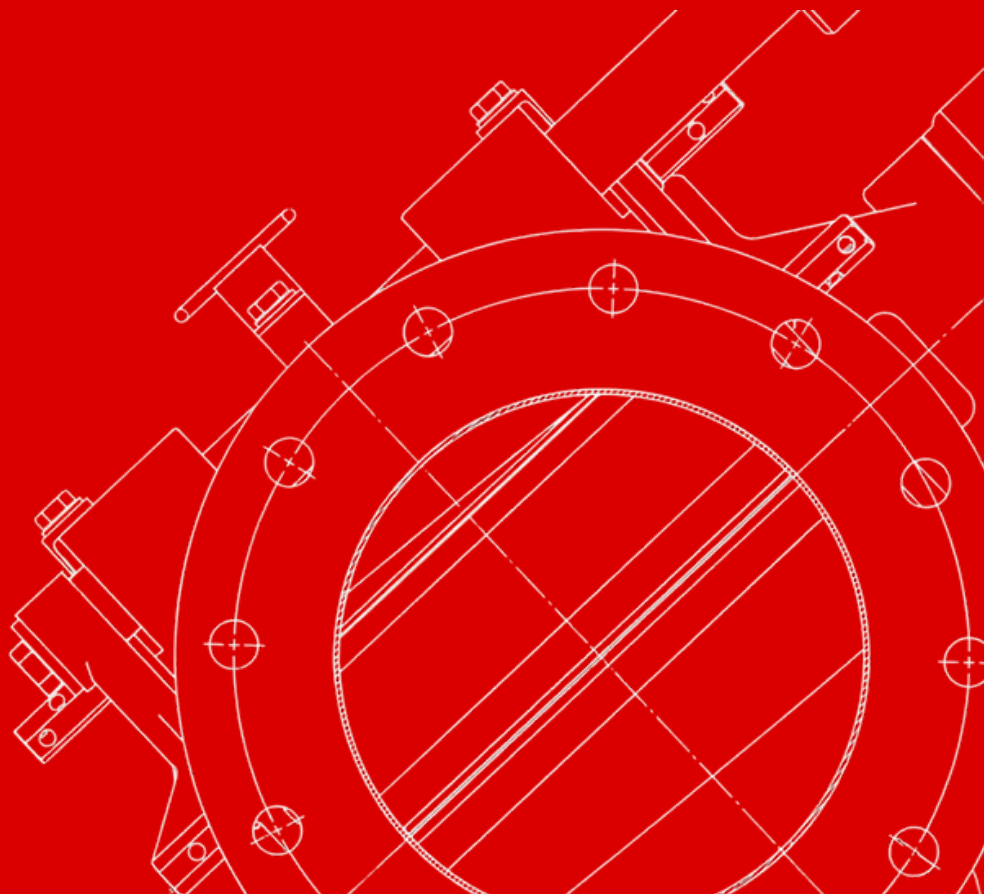


MANUFACTURING & QUALITY

- Heavy-section CNC-machined housing
- Reinforced rotor construction
- Advanced wear-resistant surface treatment
- High-capacity bearing protection system
- Pressure-optimized sealing configuration

HEAVY INDUSTRY APPLICATIONS

- **Cement Manufacturing**
- **Power Generation Plants**
- **Mining & Mineral Processing**
- **Steel & Lime Industries**
- **Fertilizer & Chemical Plants**
- **Sugar & Bio-Energy Facilities**



OSWAR

rotocorp

Corporate Office

Jaipur, Rajasthan India
Nagpur, Maharashtra India

Sales Inquiries

info@oswarrotocorp.com

Helpline

+44 7917 128505 | +91 77422 36474

Copyright © 2026 OSWAR ROTOCORP. All Rights Reserved. OSWAR® is a registered trademark of **OSWAR ROTOCORP**. This brochure makes no offers, representations or warranties (express or implied), and information and data contained in this brochure are for general reference only and may change at any time.